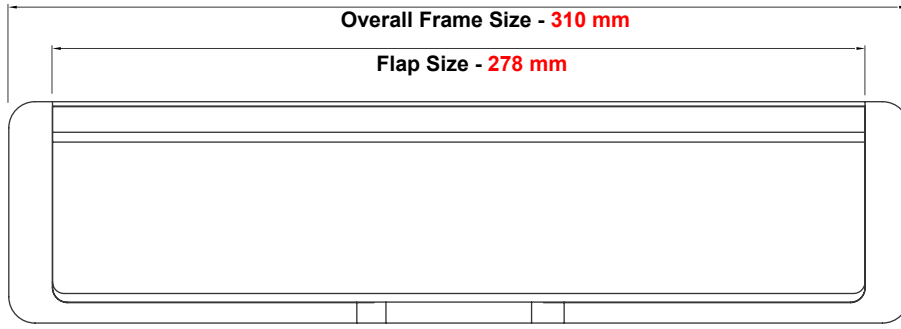
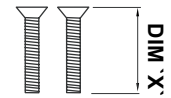
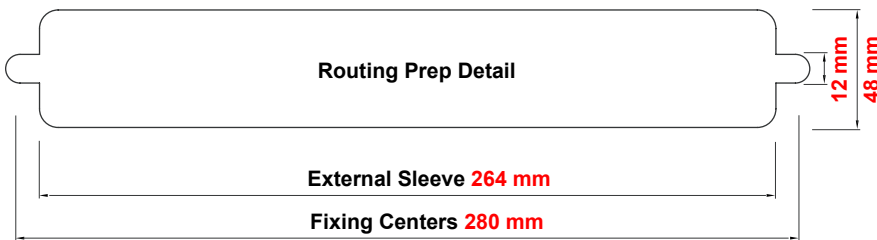
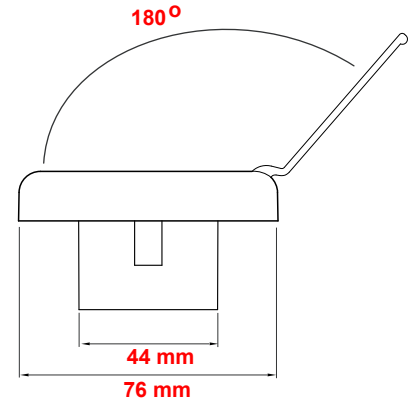
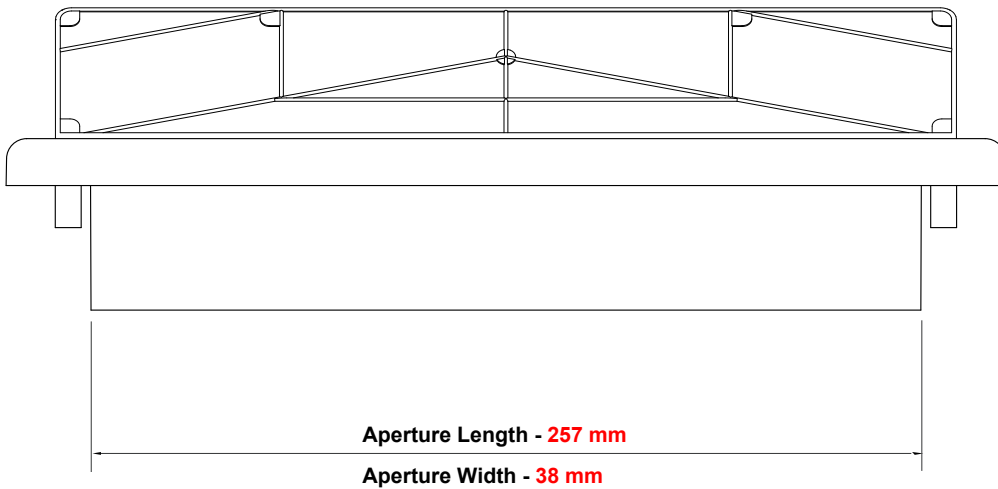
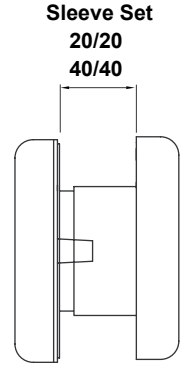




Fire Resistant Nu-Mail Letterplate



Standard 76 mm
or
Slimline 68 mm



Fixing Screws Provided

NOTE: All dimensions are in millimetres.

Code	Description
FFLP1220**	Letterplate 20-40 Std76 - (Colour)
FFLP1220SL68**	Letterplate 20-40 Slim68 - (Colour)
FFLP1240**	Letterplate 40-80 Std76 - (Colour)
FFLP1240SL68**	Letterplate 40-80 Slim68 - (Colour)
FFLPGASKBL	Letterplate Rubber Drip Gasket
FFLPINTSTR	Intumescent Strip 600mm for 1240 Letterplate
FFLPINTSTR-1220	Intumescent Strip 600mm for 1220 Letterplate
FFLPINTSTR25	Letterplate Intumescent Strip Roll x 25 Metre

**Ref.	Colour
SC	Satin Chrome
BC	Bright Chrome
HG	Hardex Gold
BB	Bright Bronze
SB	Satin Bronze
WH	White
BL	Black