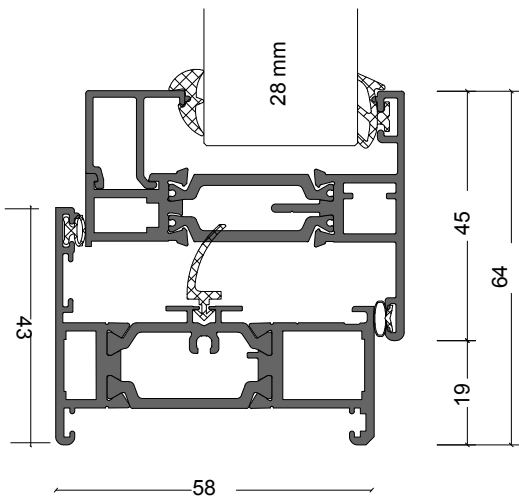


Beaufort have introduced three new sashes alongside the AW614 as alternative options.

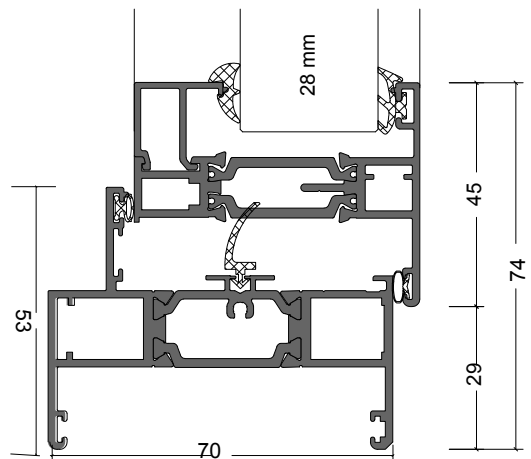
All sashes are slimline and will work with any of the frames that are currently available.

AW685 Internally Glazed Flat sash

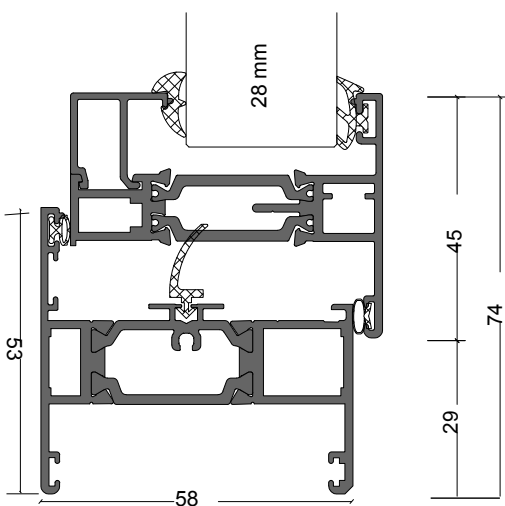
This shows the Flat sash in the AW604 frame, which is the slimmest combination available.



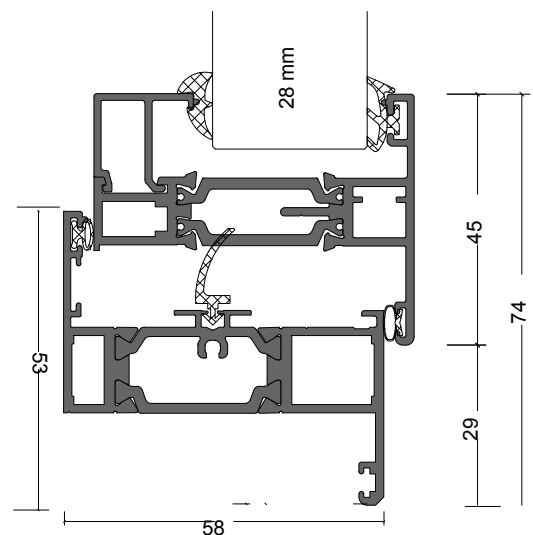
This shows the Flat sash in the AW622 direct fix frame. AW602 Sculptured frame is also available, and is the same size.



This shows the Flat sash in the AW605 frame, which is an equal leg frame but 10mm deeper than the AW604.



This shows the Flat sash in the AW603 odd leg frame.

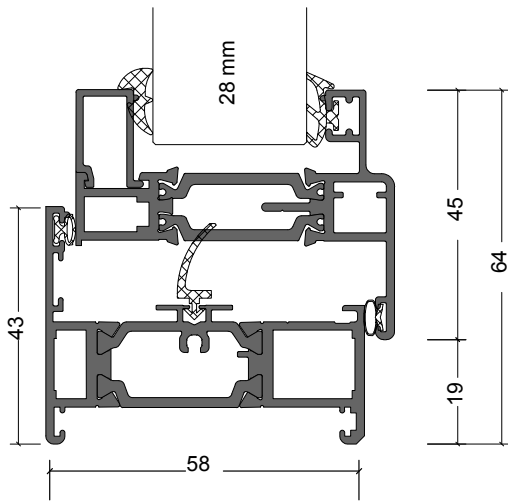




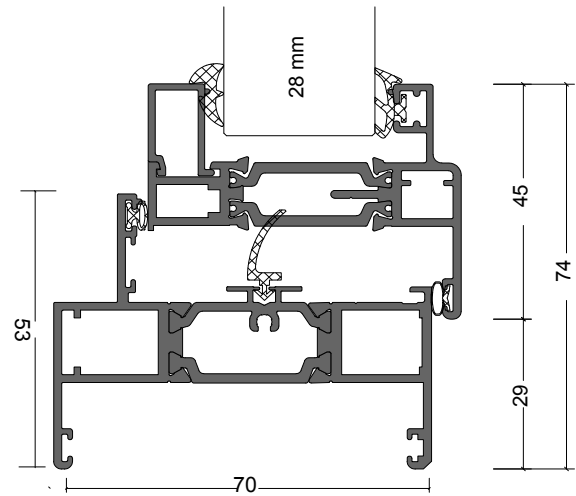
reigler

AW686 Internally Glazed Stepped Edge Sash

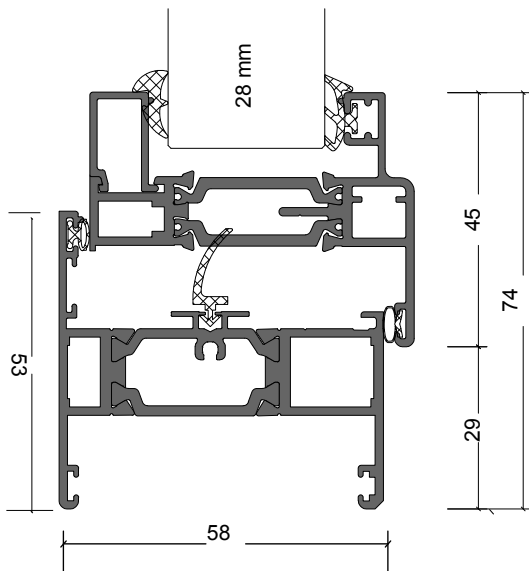
This shows the Stepped sash in the AW604 frame, which is the slimmest combination available.



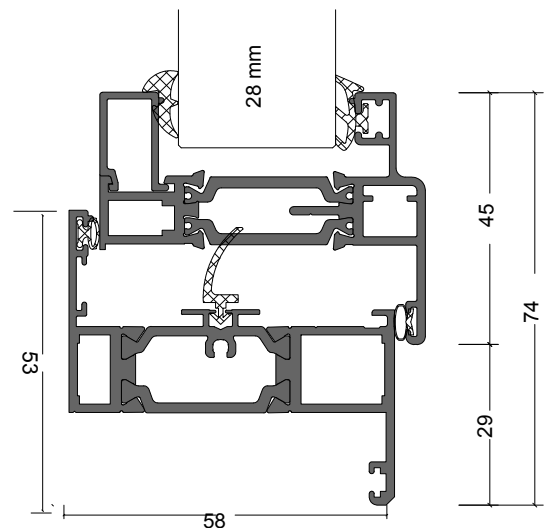
This shows the Stepped sash in the AW622 direct fix frame. AW602 Sculptured frame is also available, and is the same size.



This shows the Stepped sash in the AW605 frame, which is an equal leg frame but 10mm deeper than the AW604.

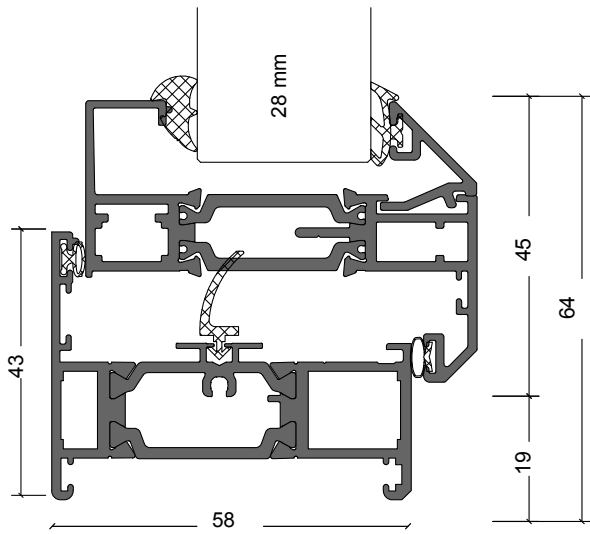


This shows the Stepped sash in the AW603 odd leg frame.

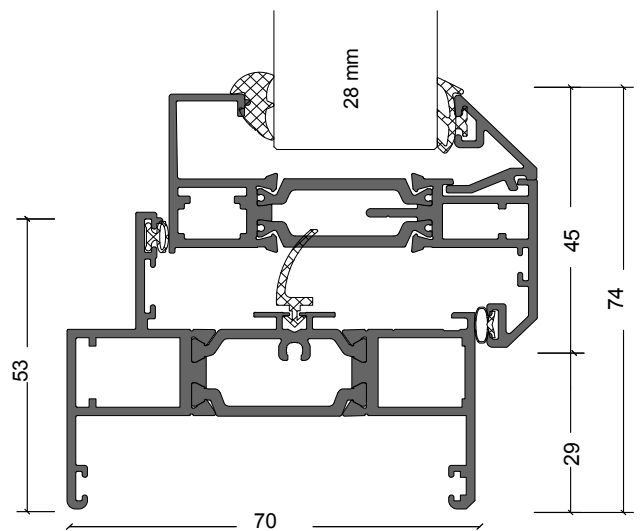


AW690 Externally Glazed Feature Sash

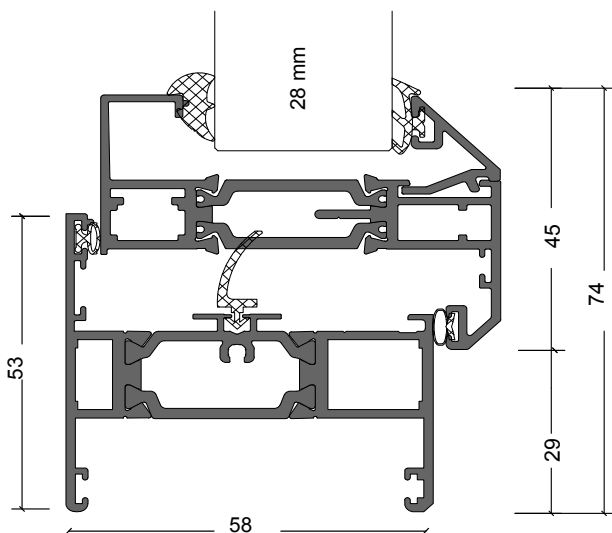
This shows the Feature sash in the AW604 frame, which is the slimmest combination available.



This shows the Feature sash in the AW622 direct fix frame. AW602 Sculptured frame is also available, and is the same size.



This shows the Feature sash in the AW605 frame, which is an equal leg frame but 10mm deeper than the AW604.



This shows the Feature sash in the AW603 odd leg frame.

